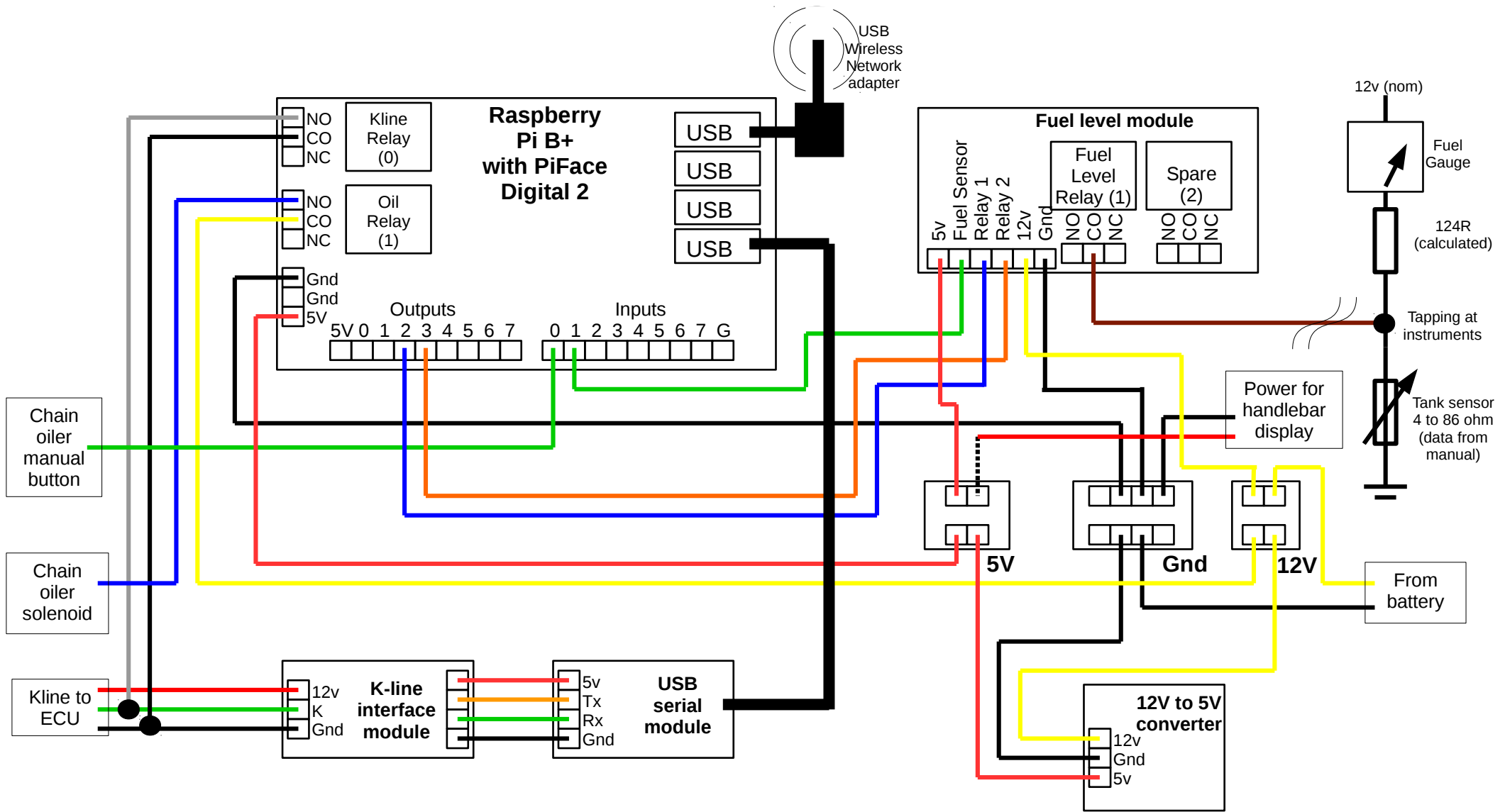
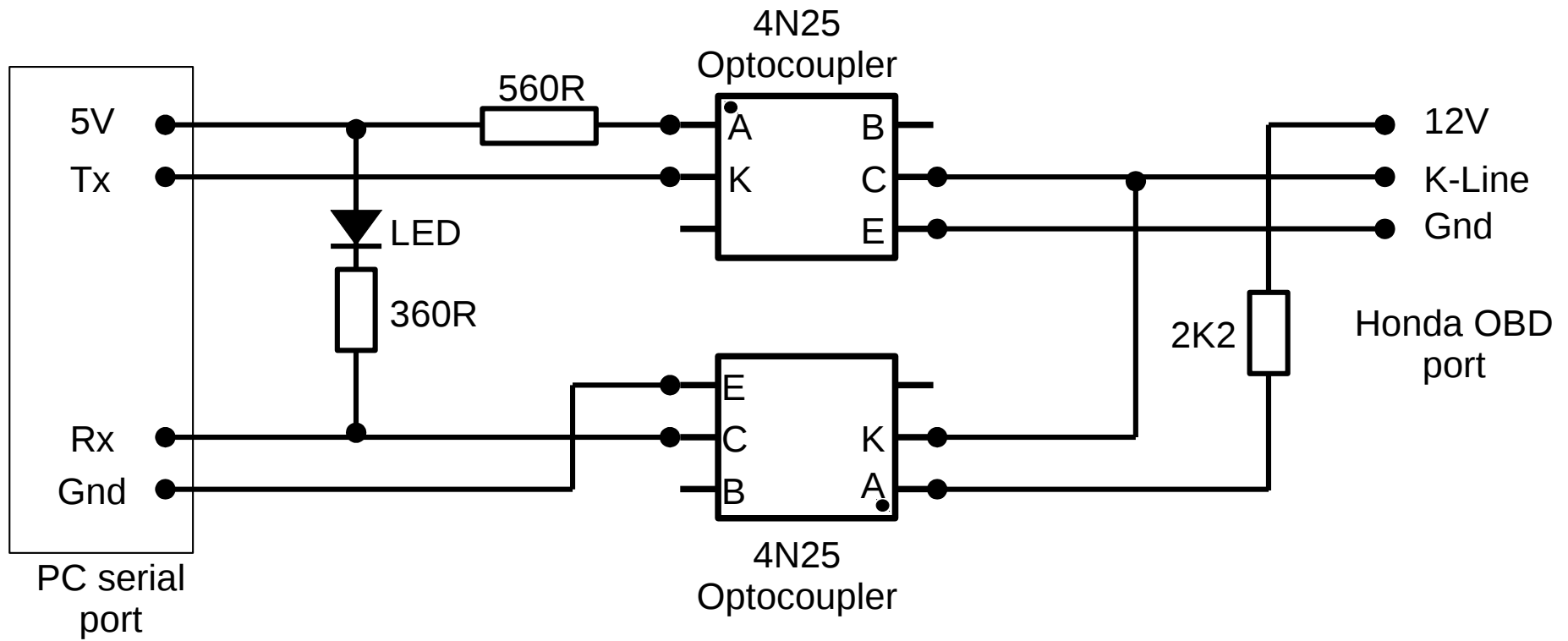


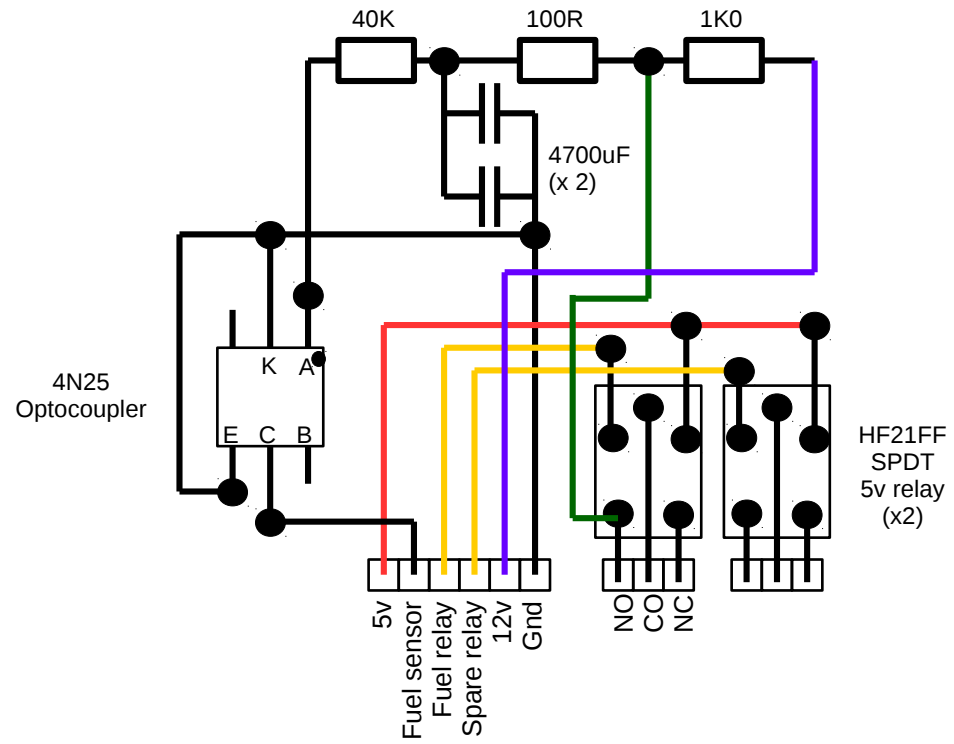
CTX700 – OBD Project – Program Functional Diagram



CTX700 – OBD Project – Wiring diagram



Honda K-line OBD interface to PC serial



Fuel Level Module
(Fuel level sensor range 4 to 86ohm)